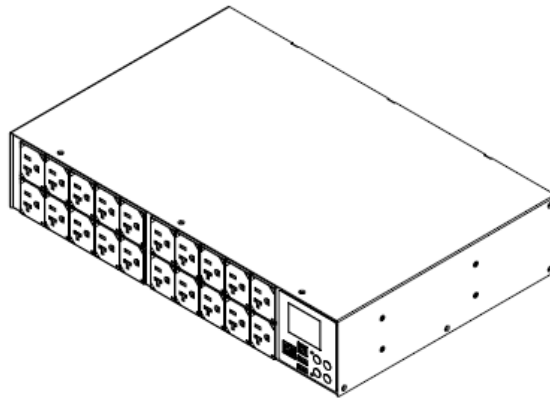


## Technical Specifications / Engineering Submittals

Raritan Model Number: PX3-5407R

rev20200701

### LINE DRAWING



### FEATURES

<b>Energy Metering</b>	Voltage (V), Current (A), Active Power (kW), Real Power (kVA), Energy (kWh), Power Factor
<b>Metering Accuracy</b>	ISO/IEC 62053-21 1%
<b>Metering per Input Line</b>	Yes
<b>Metering per Branch Circuit Breaker</b>	No
<b>Metering per Output Receptacle</b>	Yes
<b>Remote Outlet Switching</b>	Yes
<b>Environmental Sensor Ready</b>	Yes
<b>Replaceable Controller</b>	No
<b>Compatible Sensors</b>	Temperature, Humidity, Air Flow, Differential Pressure, Water Leak, and Contact Closure
<b>Networking</b>	Gigabit (10/100/1000 BaseT) Ethernet port; secondary, redundant (10/100 BaseT) Ethernet port. Optional WiFi (802.11a/b/g/n)
<b>Remote Management</b>	HTTP(s); SSH; Telnet; RS-232 (Serial); Power IQ; SNMP version v2/v3; SMTP; JSON-RPC; Modbus over TCP
<b>Cascading</b>	Yes, Max 16 PDUs can be daisy chained using a single Ethernet or USB connection
<b>Onboard Display</b>	Color, matrix LCD display : Voltage, current, or active power (per line, or per receptacle /outlet); Alarms; Configuration information (name, ratings, IP / Networking information)
<b>Embedded Processor</b>	ARM Cortex A5 536MHZ (Atmel A5D35A), 16MB SPI Flash, 128MB DDR2 RAM

## Technical Specifications / Engineering Submittals

Raritan Model Number: PX3-5407R

rev20200701

### INPUT

Input Plug	NEMA L5-20P (2P3W)
Cord Length	3 meters (9.84 feet) standard
Cord Entry	Rear feed
Cable Type	IP44("splashproof")
Number of Power Cords	1
Maximum Input Current	20A
Nominal Input Voltage	120V
Rated Input Voltage	100 - 120V
Input Frequency	50/60Hz
Power Capacity	1.6kVA at 100V, 1.9kVA at 120V

### OUTPUT

Nominal Output Voltage	120V
Rated Output Voltage	100 - 120V
Receptacles (Output Connections)	(20) NEMA 5-20R, 16A
Securelock Support	No
Cord Retention	No
Overload Protection	N/A

### PHYSICAL

Color	Black powder coat (custom colors available)
Unit Dimensions (WxDxH)	17.3" x 11.5" x 3.5" ; 440mm x 293mm x 88mm
Unit Weight	5.1 kg
Shipping Weight	9.3 kg
Shipping Dimensions (WxDxH)	22.05" x 21.73" x 11.18" ; 560mm x 552mm x 284mm
Mounting	RACK-KIT-PX-2U

## Technical Specifications / Engineering Submittals

Raritan Model Number: PX3-5407R

rev20200701

### ENVIRONMENTAL

---

Operating Temperature	60°C
Operating Relative Humidity	85%
Operating Elevation	0-6000ft
Storage Temperature	-25 to 65°C
Storage Humidity	0-100%
Storage Elevation	0-10000ft

---

### CONFORMANCE

---

Regulatory Approvals	UL Listed, Canada ICES-003, Part 15 Class A of the FCC rules, RoHS compliant
Warranty	Standard 2 years manufacturer warranty (Extended warranty available for purchase)

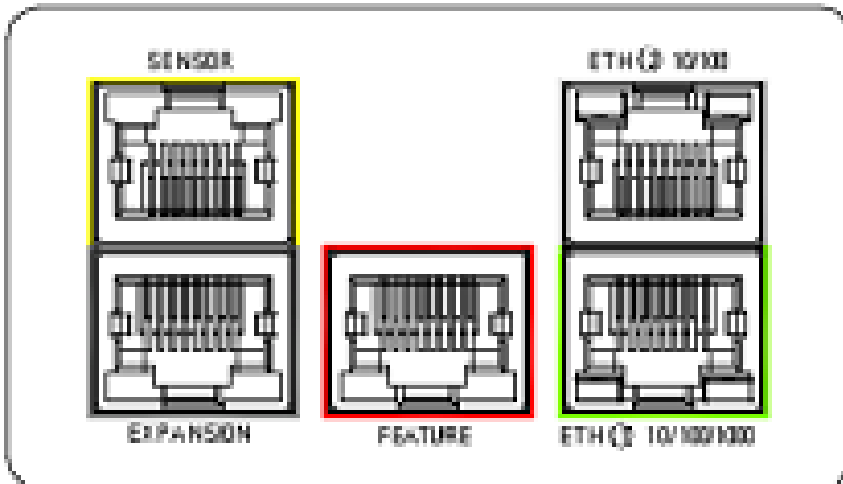
---

## Technical Specifications / Engineering Submittals

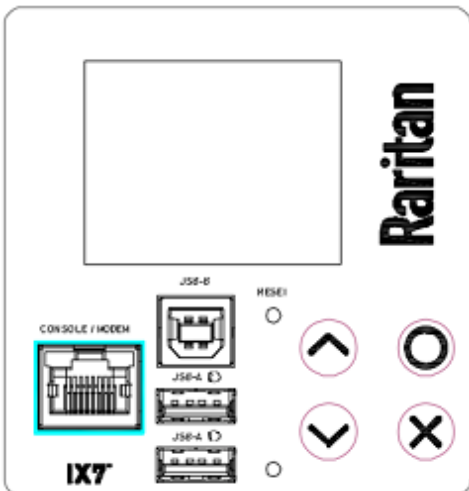
Raritan Model Number: PX3-5407R

rev20200701

### CONTROL PANEL



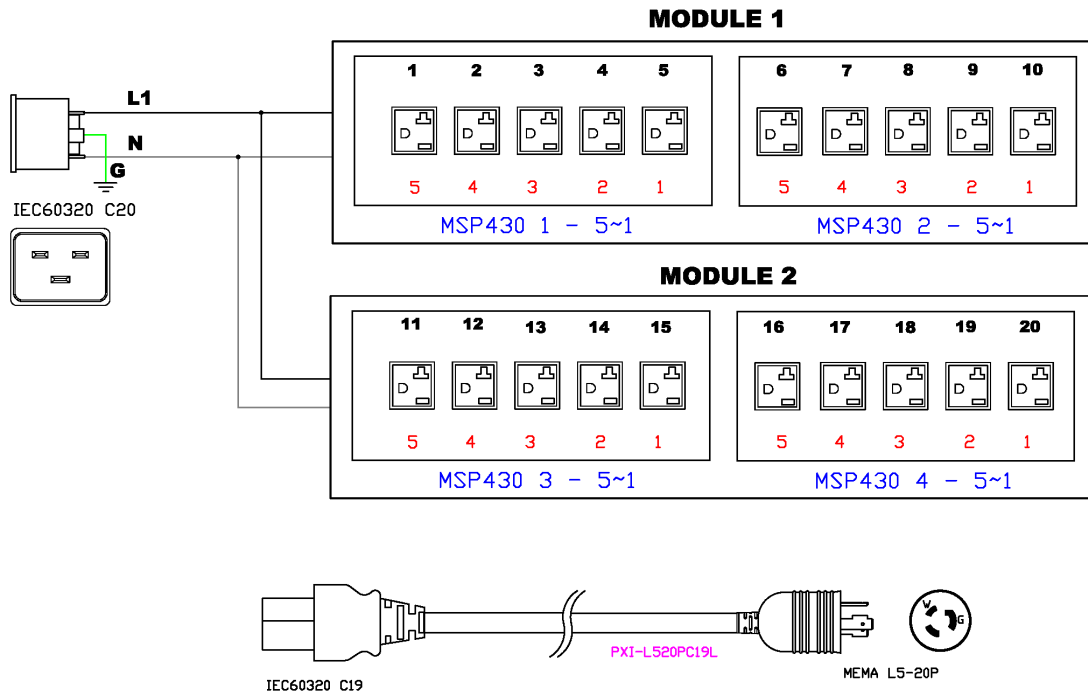
### CONTROL PANEL2



**Technical Specifications / Engineering Submittals**  
Raritan Model Number: PX3-5407R

rev20200701

**ELECTRICAL (ONE LINE) DIAGRAM**





## Technical Specifications / Engineering Submittals

Raritan Model Number: PX3-5407R

rev20200701

### TRIP CURVE

This file generated on: Wed, July 01, 2020 - 07:26:58