

STOCK CODE

PC1206

ITF-14
Barcode **05055287004543**

CABLE REQUIREMENTS:

Make:

Colour: RED

Type:

SJT 18/3C 105C

CONNECTOR 1 REQUIREMENTS:

Type: C14

Colour: BLACK

Rating: 10A

Reference: UL Approved

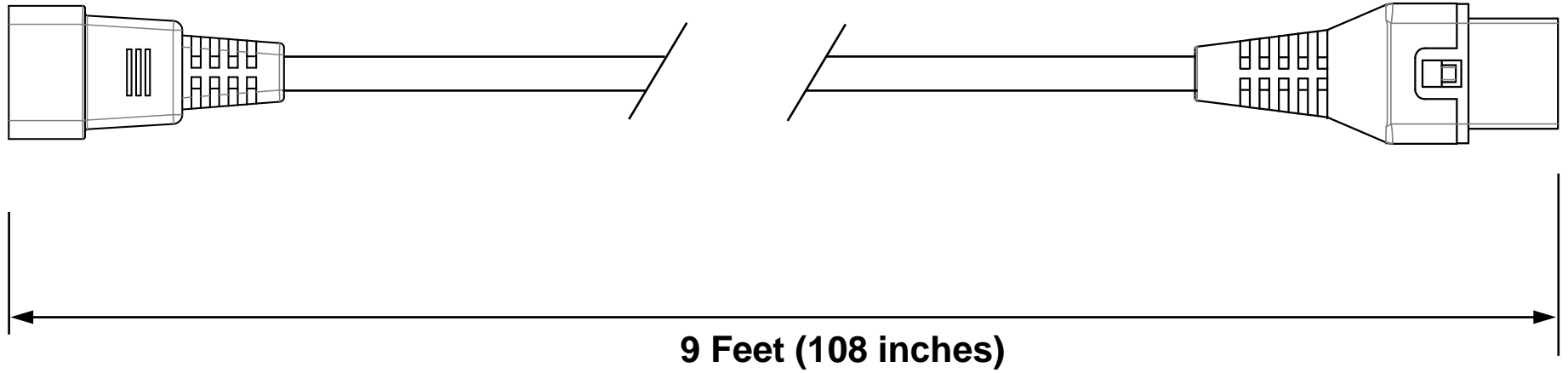
CONNECTOR 2 REQUIREMENTS:

Type: SW919

Colour: BLACK

Rating: 10A

Other Information:
Locking C13 Connector - UL Approved



EXTRA REQUIREMENTS

PACKAGING OUTER 100

PIN PROTECTING COVER NO

WIRING INSTRUCTIONS NO

HANKING

None

FURTHER COMMENTS

No cover over red tab on C13 IEC LOCK